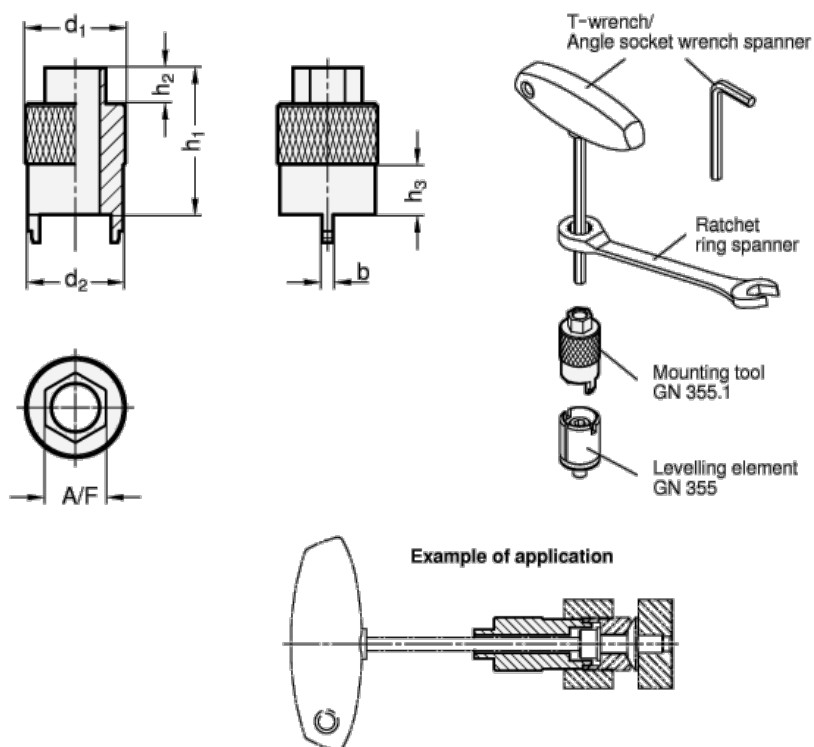


Article number: 20355130

Description: E+G Mounting tool, GN 355.1-30

## Measures



A/F	= 17
b	= 4
d1	= 30
d2	= 28.5
h1	= 48
h2	= 12
h3	= 15
Max torque pres Nm	= 100

Weight in (g) = 155